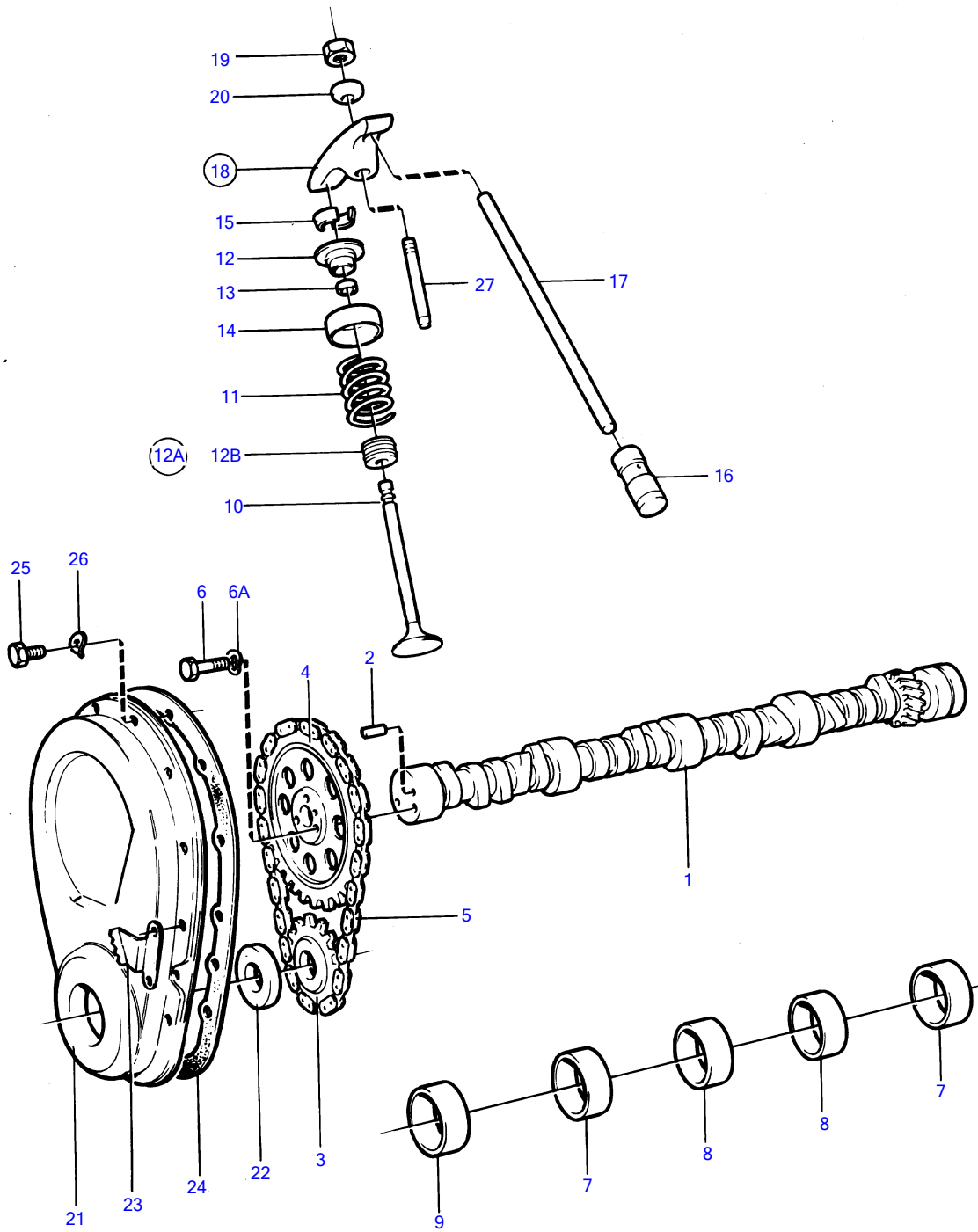


500B, 501B



7210

## 500B, 501B

REF	PART NO.	QTY	DESCRIPTION	SEE SEC.	NOTES
1	835465	1	Camshaft		
2	835040	1	• Locating pin		
3	856069	1	Sprocket		
4	856068	1	Sprocket		
5	856070	1	Camshaft chain		
6	940135	3	Hexagon screw		
6A	941907	3	Spring washer		
7	841423	2	Bushing		Incl.in cylinderblock.
8	841424	2	Bushing		Incl.in cylinderblock.
9	841422	1	Bearing		Incl.in cylinderblock.
10	835541	8	Exhaust valve		Std
	841372	8	Exhaust valve		Over size 0,015"
	(841860)	8	Inlet valve		Std, Obsolete part
	(841861)	8	Inlet valve		Over size 0,015", Obsolete part
	(841862)	8	Valve		Over size 0,030", Obsolete part
11	835102	16	Spring		
12	855825	8	Valve spring washer		For exhaust valve.
	841782	8	Valve spring washer		
12A	855564	1	Sealing kit		
12B		8	• seal		
13		16	• oil seal		
14	841781	16	Shield		
15	835401	32	Valve collet		
16	835089	16	Tappet		
17	841941	16	Push rod		
18	856421	16	Rocker arm		
19	841198	16	• Nut		
20	841199	16	• Ball		
21	856422	1	Timing gear casing		
22	856665	1	• Sealing ring		
23	841038	1	Setting indicator		
24	856663	1	Gasket		
25	841426	10	Screw		
26	941906	10	Spring washer		Early type
27	835108	16	Stud	12436	
	841779	16	Stud		Over size 0,013"